



Bid Number/बोली क्रमांक (बिड संख्या):
GEM/2023/B/4007618
Dated/दिनांक : 25-09-2023

Bid Document/ बिड दस्तावेज़

Bid Details/बिड विवरण	
Bid End Date/Time/बिड बंद होने की तारीख/समय	05-10-2023 17:00:00
Bid Opening Date/Time/बिड खुलने की तारीख/समय	05-10-2023 17:30:00
Bid Offer Validity (From End Date)/बिड पेशकश वैधता (बंद होने की तारीख से)	30 (Days)
Ministry/State Name/मंत्रालय/राज्य का नाम	Ministry Of Heavy Industries And Public Enterprises
Department Name/विभाग का नाम	Department Of Heavy Industry
Organisation Name/संगठन का नाम	Andrew Yule Company Limited
Office Name/कार्यालय का नाम	Tea Division
Total Quantity/कुल मात्रा	6
Item Category/मद केटेगरी	Supply of Materials for Movable Kiosk at Yule House , Supply of Materials for Movable Kiosk at Bengal Chamber of Commerce , Supply of Materials for Movable Kiosk at Eco Park , Fabrication and Erection of Movable Kiosk at Yule House , Fabrication and Erection of Movable Kiosk at Bengal Chamber of Commerce , Fabrication and Erection of Movable Kiosk at Eco Park
BOQ Title/बीओक्यू शीर्षक	Supply of Movable Kiosks on Turnkey Basis
Years of Past Experience Required for same/similar service/उन्हीं/समान सेवाओं के लिए अपेक्षित विगत अनुभव के वर्ष	3 Year (s)
MSE Exemption for Years of Experience and Turnover/ अनुभव के वर्षों से एमएसई छूट	No
Startup Exemption for Years Of Experience/अनुभव के वर्षों से स्टार्टअप छूट/ and Turnover/ टर्नओवर के लिए स्टार्टअप को छूट प्राप्त है	Yes
Document required from seller/विक्रेता से मांगे गए दस्तावेज़	Experience Criteria,Past Performance,Certificate (Requested in ATC) *In case any bidder is seeking exemption from Experience / Turnover Criteria, the supporting documents to prove his eligibility for exemption must be uploaded for evaluation by the buyer
Past Performance/विगत प्रदर्शन	80 %
Bid to RA enabled/बिड से रिवर्स नीलामी सक्रिय किया	No

Bid Details/बिड विवरण	
Type of Bid/बिड का प्रकार	Two Packet Bid
Primary product category	Supply of Materials for Movable Kiosk at Yule House
Time allowed for Technical Clarifications during technical evaluation/तकनीकी मूल्यांकन के दौरान तकनीकी स्पष्टीकरण हेतु अनुमत समय	2 Days
Inspection Required (By Empanelled Inspection Authority / Agencies pre-registered with GeM)	No
Evaluation Method/मूल्यांकन पद्धति	Total value wise evaluation

EMD Detail/ईएमडी विवरण

Required/आवश्यकता	No
-------------------	----

ePBG Detail/ईपीबीजी विवरण

Required/आवश्यकता	No
-------------------	----

Splitting/विभाजन

Bid splitting not applied/बोली विभाजन लागू नहीं किया गया.

Reserved for Make In India products

Reserved for Make In India products	Yes
-------------------------------------	-----

MSE Purchase Preference/एमएसई खरीद वरीयता

MSE Purchase Preference/एमएसई खरीद वरीयता	Yes
---	-----

1. If the bidder is a Startup, the bidder shall be exempted from the requirement of "Bidder Turnover" criteria and "Experience Criteria" subject to their meeting of quality and technical specifications. If the bidder is OEM of the offered products, it would be exempted from the "OEM Average Turnover" criteria also subject to meeting of quality and technical specifications. In case any bidder is seeking exemption from Turnover / Experience Criteria, the supporting documents to prove his eligibility for exemption must be uploaded for evaluation by the buyer.
2. Experience Criteria: In respect of the filter applied for experience criteria, the Bidder or its OEM {themselves or through reseller(s)} should have regularly, manufactured and supplied same or similar Category Products to any Central / State Govt Organization / PSU / Public Listed Company for number of Financial years as indicated above in the bid document before the bid opening date. Copies of relevant contracts to be submitted along with bid in support of having supplied some quantity during each of the Financial year. In case of bunch bids, the category of primary product having highest value should meet this criterion.
3. Bid reserved for Make In India products: : Procurement under this bid is reserved for purchase from Class 1 local supplier as defined in public procurement (Preference to Make in India), Order 2017 as amended from time to time and its subsequent Orders/Notifications issued by concerned Nodal Ministry for specific Goods/Products.

However, eligible micro and small enterprises will be allowed to participate. The minimum local content to qualify as a class 1 local supplier is denoted in the bid document. All bidders must upload a certificate from the OEM regarding the percentage of the local content and the details of locations at which the local value addition is made along with their bid, failing which the bid is liable to be rejected. In case the bid value is more than Rs 10 Crore, the declaration relating to percentage of local content shall be certified by the statutory auditor or cost auditor, if the OEM is a company and by a practicing cost accountant or a chartered accountant for OEMs other than companies as per the Public Procurement (preference to Make-in -India) order 2017 dated 04.06.2020 . In case Buyer has selected Purchase preference to Micro and Small Enterprises clause in the bid, the same will get precedence over this clause.

4. Purchase preference to Micro and Small Enterprises (MSEs): Purchase preference will be given to MSEs as defined in Public Procurement Policy for Micro and Small Enterprises (MSEs) Order, 2012 dated 23.03.2012 issued by Ministry of Micro, Small and Medium Enterprises and its subsequent Orders/Notifications issued by concerned Ministry. If the bidder wants to avail the Purchase preference, the bidder must be the manufacturer of the offered product in case of bid for supply of goods. Traders are excluded from the purview of Public Procurement Policy for Micro and Small Enterprises. In respect of bid for Services, the bidder must be the Service provider of the offered Service. Relevant documentary evidence in this regard shall be uploaded along with the bid in respect of the offered product or service. If L-1 is not an MSE and MSE Seller (s) has/have quoted price within L-1+ 15% (Selected by Buyer) of margin of purchase preference /price band defined in relevant policy, such Seller shall be given opportunity to match L-1 price and contract will be awarded for 25%(selected by Buyer) percentage of total QUANTITY. The buyers are advised to refer the OM No.F.1/4/2021-PPD dated 18.05.2023

[OM No.1 4 2021 PPD dated 18.05.2023](#) for compliance of Concurrent application of Public Procurement Policy for Micro and Small Enterprises Order, 2012 and Public Procurement (Preference to Make in India) Order, 2017.

5. Estimated Bid Value indicated above is being declared solely for the purpose of guidance on EMD amount and for determining the Eligibility Criteria related to Turn Over, Past Performance and Project / Past Experience etc. This has no relevance or bearing on the price to be quoted by the bidders and is also not going to have any impact on bid participation. Also this is not going to be used as a criteria in determining reasonableness of quoted prices which would be determined by the buyer based on its own assessment of reasonableness and based on competitive prices received in Bid / RA process.

6. Past Performance: The Bidder or its OEM {themselves or through re-seller(s)} should have supplied same or similar Category Products for 80% of bid quantity, in at least one of the last three Financial years before the bid opening date to any Central / State Govt Organization / PSU / Public Listed Company. Copies of relevant contracts (proving supply of cumulative order quantity in any one financial year) to be submitted along with bid in support of quantity supplied in the relevant Financial year. In case of bunch bids, the category related to primary product having highest bid value should meet this criterion.

Supply Of Materials For Movable Kiosk At Yule House

(Minimum 100% Local Content required for qualifying as Class 1 Local Supplier)

Technical Specifications/तकनीकी विशिष्टियाँ

Specification Document	View File
BOQ Detail Document	View File

Advisory-Please refer attached BOQ document for detailed consignee list and delivery period.

Consignees/Reporting Officer/परेषिती/रिपोर्टिंग अधिकारी and/ तथा Quantity/मात्रा

S.No./क्र. सं.	Consignee Reporting/Officer/ परेषिती/रिपोर्टिंग अधिकारी	Address/पता	Quantity/मात्रा	Delivery Days/डिलीवरी के दिन
1	Shantanu Boral	700001,8, Dr. Rajendra Prasad Sarani	1	15

Supply Of Materials For Movable Kiosk At Bengal Chamber Of Commerce

(Minimum 100% Local Content required for qualifying as Class 1 Local Supplier)

Technical Specifications/तकनीकी विशिष्टियाँ

Specification Document	View File
BOQ Detail Document	View File

Advisory-Please refer attached BOQ document for detailed consignee list and delivery period.

Consignees/Reporting Officer/परेषिती/रिपोर्टिंग अधिकारी and/ तथा Quantity/मात्रा

S.No./क्र. सं.	Consignee Reporting/Officer/ परेषिती/रिपोर्टिंग अधिकारी	Address/पता	Quantity/मात्रा	Delivery Days/डिलीवरी के दिन
1	Shantanu Boral	700001,8, Dr. Rajendra Prasad Sarani	1	15

Supply Of Materials For Movable Kiosk At Eco Park

(Minimum 100% Local Content required for qualifying as Class 1 Local Supplier)

Technical Specifications/तकनीकी विशिष्टियाँ

Specification Document	View File
BOQ Detail Document	View File

Advisory-Please refer attached BOQ document for detailed consignee list and delivery period.

Consignees/Reporting Officer/परेषिती/रिपोर्टिंग अधिकारी and/ तथा Quantity/मात्र

S.No./क्र. सं.	Consignee Reporting/Officer/ परेषिती/रिपोर्टिंग अधिकारी	Address/पता	Quantity/मात्र	Delivery Days/डिलीवरी के दिन
1	Shantanu Boral	700001,8, Dr. Rajendra Prasad Sarani	1	15

Fabrication And Erection Of Movable Kiosk At Yule House

(Minimum 100% Local Content required for qualifying as Class 1 Local Supplier)

Technical Specifications/तकनीकी विशिष्टियाँ

Specification Document	View File
BOQ Detail Document	View File

Advisory-Please refer attached BOQ document for detailed consignee list and delivery period.

Consignees/Reporting Officer/परेषिती/रिपोर्टिंग अधिकारी and/ तथा Quantity/मात्र

S.No./क्र. सं.	Consignee Reporting/Officer/ परेषिती/रिपोर्टिंग अधिकारी	Address/पता	Quantity/मात्र	Delivery Days/डिलीवरी के दिन
1	Shantanu Boral	700001,8, Dr. Rajendra Prasad Sarani	1	15

Fabrication And Erection Of Movable Kiosk At Bengal Chamber Of Commerce

(Minimum 100% Local Content required for qualifying as Class 1 Local Supplier)

Technical Specifications/तकनीकी विशिष्टियाँ

Specification Document	View File
BOQ Detail Document	View File

Advisory-Please refer attached BOQ document for detailed consignee list and delivery period.

Consignees/Reporting Officer/परेषिती/रिपोर्टिंग अधिकारी and/ तथा Quantity/मात्र

S.No./क्र. सं.	Consignee Reporting/Officer/ परेषिती/रिपोर्टिंग अधिकारी	Address/पता	Quantity/मात्र	Delivery Days/डिलीवरी के दिन
1	Shantanu Boral	700001,8, Dr. Rajendra Prasad Sarani	1	15

Fabrication And Erection Of Movable Kiosk At Eco Park

(Minimum 100% Local Content required for qualifying as Class 1 Local Supplier)

Technical Specifications/तकनीकी विशिष्टियाँ

Specification Document	View File
BOQ Detail Document	View File

Advisory-Please refer attached BOQ document for detailed consignee list and delivery period.

Consignees/Reporting Officer/परेषिती/रिपोर्टिंग अधिकारी and/ तथा Quantity/मात्र

S.No./क्र. सं.	Consignee Reporting/Officer/ परेषिती/रिपोर्टिंग अधिकारी	Address/पता	Quantity/मात्र	Delivery Days/डिलीवरी के दिन
1	Shantanu Boral	700001,8, Dr. Rajendra Prasad Sarani	1	15

Buyer Added Bid Specific Terms and Conditions/क्रेता द्वारा जोड़ी गई बिड की विशेष शर्तें

1. **Generic**

Bidder shall submit the following documents along with their bid for Vendor Code Creation:

- a. Copy of PAN Card.
- b. Copy of GSTIN.
- c. Copy of Cancelled Cheque.
- d. Copy of EFT Mandate duly certified by Bank.

2. **Scope of Supply**

Scope of supply (Bid price to include all cost components) : Supply Installation Testing and Commissioning of Goods

3. **Buyer Added Bid Specific ATC**

Buyer uploaded ATC document [Click here to view the file.](#)

Disclaimer/अस्वीकरण

The additional terms and conditions have been incorporated by the Buyer after approval of the Competent Authority in Buyer Organization, whereby Buyer organization is solely responsible for the impact of these clauses on the bidding process, its outcome, and consequences thereof including any eccentricity / restriction arising in the bidding process due to these ATCs and due to modification of technical specifications and / or terms and conditions governing the bid. Any clause(s) incorporated by the Buyer regarding following shall be treated as null and void and would not be considered as part of bid:-

1. Definition of Class I and Class II suppliers in the bid not in line with the extant Order / Office Memorandum issued by DPIIT in this regard.
2. Seeking EMD submission from bidder(s), including via Additional Terms & Conditions, in contravention to exemption provided to such sellers under GeM GTC.
3. Publishing Custom / BOQ bids for items for which regular GeM categories are available without any Category item bunched with it.
4. Creating BoQ bid for single item.
5. Mentioning specific Brand or Make or Model or Manufacturer or Dealer name.
6. Mandating submission of documents in physical form as a pre-requisite to qualify bidders.
7. Floating / creation of work contracts as Custom Bids in Services.
8. Seeking sample with bid or approval of samples during bid evaluation process.
9. Mandating foreign / international certifications even in case of existence of Indian Standards without specifying equivalent Indian Certification / standards.
10. Seeking experience from specific organization / department / institute only or from foreign / export experience.
11. Creating bid for items from irrelevant categories.
12. Incorporating any clause against the MSME policy and Preference to Make in India Policy.
13. Reference of conditions published on any external site or reference to external documents/clauses.
14. Asking for any Tender fee / Bid Participation fee / Auction fee in case of Bids / Forward Auction, as the case may be.

Further, if any seller has any objection/grievance against these additional clauses or otherwise on any aspect of this bid, they can raise their representation against the same by using the Representation window provided in the bid details field in Seller dashboard after logging in as a seller within 4 days of bid publication on GeM. Buyer is duty bound to reply to all such representations and would not be allowed to open bids if he fails to reply to such representations.

This Bid is also governed by the General Terms and Conditions/ यह बिड सामान्य शर्तों के अंतर्गत भी शासित है

In terms of GeM GTC clause 26 regarding Restrictions on procurement from a bidder of a country which shares a land border with India, any bidder from a country which shares a land border with India will be eligible to bid in this tender only if the bidder is registered with the Competent Authority. While participating in bid, Bidder has to undertake compliance of this and any false declaration and non-compliance of this would be a ground for immediate termination of the contract and further legal action in accordance with the laws./जेम की सामान्य शर्तों के खंड 26 के संदर्भ में भारत के साथ भूमि सीमा साझा करने वाले देश के बिडर से खरीद पर प्रतिबंध के संबंध में भारत के साथ भूमि सीमा साझा करने वाले देश का कोई भी बिडर इस निविदा में बिड देने के लिए तभी पात्र होगा जब वह बिड देने वाला सक्षम प्राधिकारी के पास पंजीकृत हो। बिड में भाग लेते समय बिडर को इसका अनुपालन करना होगा और कोई भी गलत घोषणा किए जाने व इसका अनुपालन न करने पर अनुबंध को तत्काल समाप्त करने और कानून के अनुसार आगे की कानूनी कार्रवाई का आधार होगा।

---Thank You/धन्यवाद---

ANDREW YULE & COMPANY LIMITED
Tea Division
Scope of Supply / Specification
Ref. Tender No.: TED/GeM/2023-24/4

1. Fabrication and Erection of Movable Kiosks at 3 (three) locations in Kolkata
2. **Scope of Work**
Supply as per specification, FOR site including installation and commissioning at site.
3. **Specification**

Size of the Kiosk: 8' (Length) x 8' (Width) x 8' (Height)
Quantity : 1 (One) unit.

Location : Andrew Yule and Co. Ltd.
8, Dr. Rajendra Prasad Sarani,
Kolkata-700001

Estimated value Rs.1,80,000/-

Specifications:

- a) Kiosk should be made of 12mm thick 50mmX25 mm MS pipe structure.
- b) Kiosk should be covered with 1mm thick GI sheet .
- c) Kiosk should be open from front side & right side with flap door system
- d) Back side should be closed & left side should have a door of 3ft and rest will be covered.
- e) Kiosk top will covered with GI sheet.
- f) Kiosk should have 80"L X 12"W wall shelves. Wall shelves should be made of 1.20mm SS304 sheet.
- g) Front cabinet dimensions should be 96"LX24"W
Right cabinet dimensions should be 72"LX16"W
- h) Inside kiosk there be 2nos of cabinets, one on the front and the other on the right side.
- i) Body will be covered outside with approximately 120 sqft vinyl and branding will be done on it (matter to be provided by AYCL)
- j) Interiors to have 10 (ten) nos. LED lights fitted on the ceiling. Outside top will have 8ft X1ft neon light hoarding for display

Other Information / Data required to be furnished

1. **List of cliental for last 3 years alongwith few order copies.**

General Terms & Conditions

1. **Scope of Work**
Supply as per above mentioned complete specification in all respect to the respective sites, as mentioned above, on %door delivery+basis including installation and commissioning at site.
2. **Location of Site**
As stated above.
3. **Requirement**
 - Fabrication and Erection of Movable Kiosks at above location in Kolkata.

4. Liquidated Damage

In the event of failure on the part of the contractor to complete entire work against the order to our full satisfaction within the specified period of completion, we may recover from the contractor as liquidated damages, a sum equivalent to ½% of material value for each week or any part thereof default, where the delivery thereof will be accepted after expiry of the date stipulated for this purpose, but limited to a maximum of 10% of material value.

a. Risk Purchase

In case the contractor fails to execute the contract fully or partly, the purchaser shall have the right to execute the work through other agencies, as decided by the purchaser at the contractor's cost and risk after giving two weeks' notice in writing.

b. Price Variation

The quoted price should remain firm during pendency of the contract.

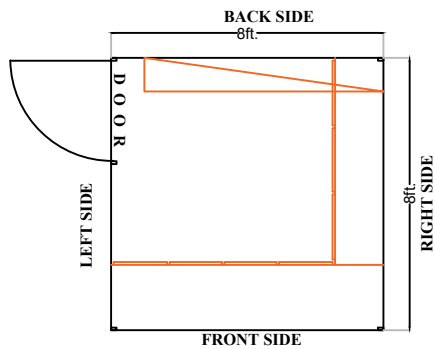
c. Guarantee

12 months from the date of commissioning against defective materials, faulty workmanship.

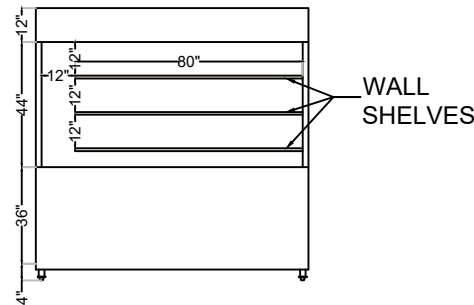
d. Purchaser's Liabilities

e. Decision for awarding contract/job is vested with the Management so as to reject, split / fragment.

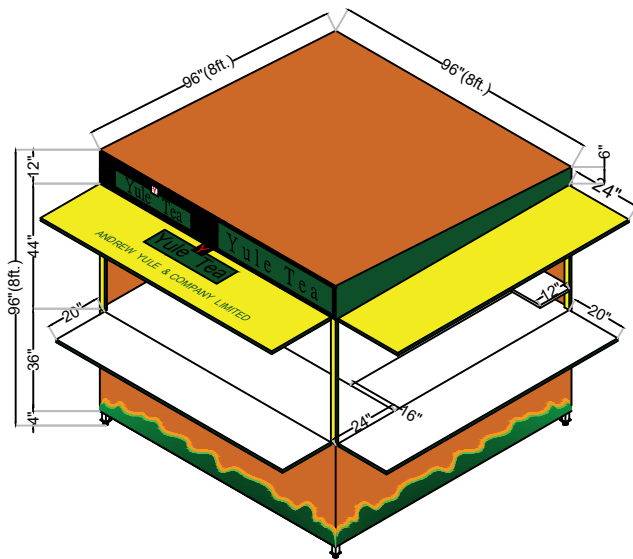
Note : Designs attached herewith.



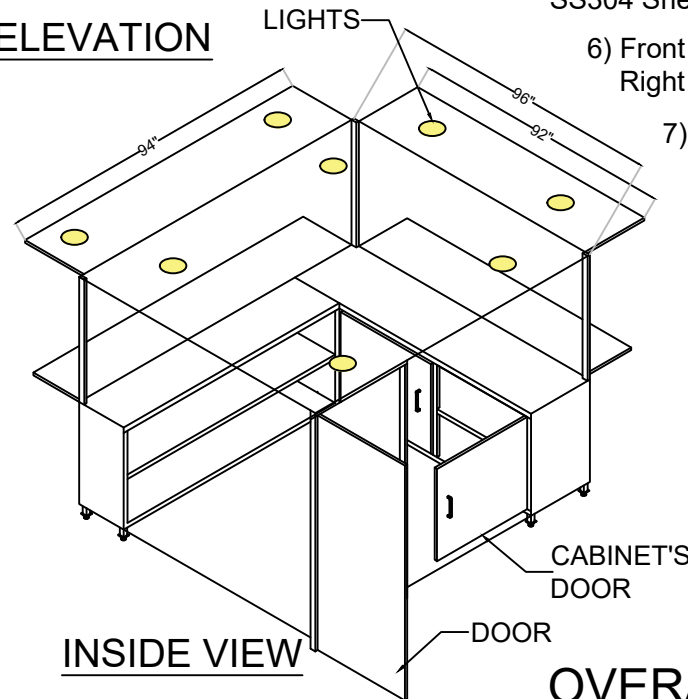
TOP VIEW



FRONT ELEVATION



ISOMETRIC VIEW



INSIDE VIEW

- 1) Kiosk should be made of 1.2 mm. thk. 50x25mm. MS pipe structure.
- 2) Kiosk should be covered with 1mm. thik GI Sheet.
- 3) Kiosk should be open from front & right side & back side should be closed & left side should have a door.
- 4) Kiosk should be open from front & right side & back side should be closed & left side should have a door.
- 5) Kiosk should have 3nos. of 80"L X 12"W wall shelves. Wall shelves should made of 1.2mm. SS304 Sheet.
- 6) Front side cabinet dimation = 96"LX24"W
Right side cabinet dimation = 72"LX16"W
- 7) Inside of kiosk should have 2 nos. of cabinet one is at front side & another one is at right side.

OVERALL SIZE- 8' X 8' X 8'

SS KIOSK (HO)

01

15/07/2023

PRITASREE

28.07.2023

YULE TEA

ANDREW YULE & COMPANY LIMITED
Tea Division
Scope of Supply / Specification
Ref. Tender No.: TED/GeM/2023-24/4

1. Fabrication and Erection of Movable Kiosks at 3 (three) locations in Kolkata
2. **Scope of Work**
Supply as per specification, FOR site including installation and commissioning at site.

Specifications:

- a) Kiosk should be made of 12mm thick 50mmX25 mm MS pipe structure.
- b) Kiosk should be covered with 1mm thick GI sheet .
- c) Kiosk should be open from front side & right side with flap door system
- d) Back side should be closed & left side should have a door of 3ft and rest will be covered.
- e) Kiosk top will covered with GI sheet.
- f) Kiosk should have 80"L X 12"W wall shelves. Wall shelves should be made of 1.20mm SS304 sheet.
- g) Front cabinet dimensions should be 96"LX24"W
Right cabinet dimensions should be 72"LX16"W
- h) Inside kiosk there be 2nos of cabinets, one on the front and the other on the right side.
- i) Body will be covered outside with approximately 120 sqft vinyl and branding will be done on it (matter to be provided by AYCL)
- j) Interiors to have 10 (ten) nos. LED lights fitted on the ceiling. Outside top will have 8ft X1ft neon light hoarding for display

Size of the Kiosk: 8' (Length) x 5' (Width) x 8' (Height)

Quantity : 1 (One) unit.

**Location :Bengal Chamber of Commerce
Royal Exchange Building"
6, NS Road
Kolkata-700001**

Estimated value Rs.1,50,000/-

Other Information / Data required to be furnished

1. **List of cliental for last 3 years alongwith few order copies.**

General Terms & Conditions

1. **Scope of Work**
Supply as per above mentioned complete specification in all respect to the respective sites, as mentioned above, on %door delivery+basis including installation and commissioning at site.
2. **Location of Site**
As stated above.
3. **Requirement**
 - Fabrication and Erection of Movable Kiosks at 3 (three) locations in Kolkata.

4. **Liquidated Damage**

In the event of failure on the part of the contractor to complete entire work against the order to our full satisfaction within the specified period of completion, we may recover from the

contractor as liquidated damages, a sum equivalent to ½% of material value for each week or any part thereof default, where the delivery thereof will be accepted after expiry of the date stipulated for this purpose, but limited to a maximum of 10% of material value.

a. Risk Purchase

In case the contractor fails to execute the contract fully or partly, the purchaser shall have the right to execute the work through other agencies, as decided by the purchaser at the contractor's cost and risk after giving two weeks' notice in writing.

b. Price Variation

The quoted price should remain firm during pendency of the contract.

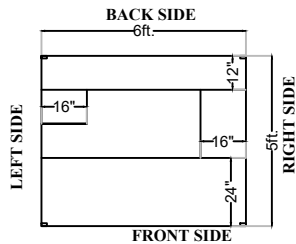
c. Guarantee

12 months from the date of commissioning against defective materials, faulty workmanship.

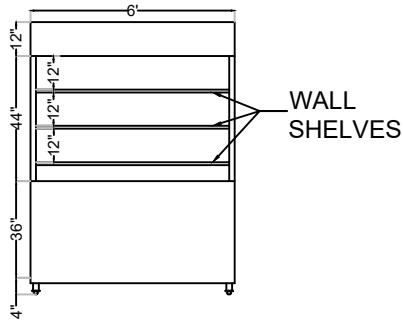
d. Purchaser's Liabilities

e. Decision for awarding contract/job is vested with the Management so as to reject, split / fragment.

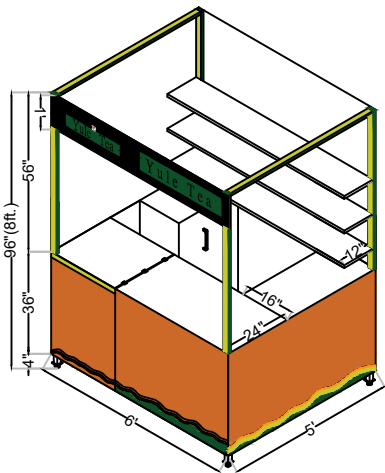
Note : Designs attached herewith.



TOP VIEW



FRONT ELEVATION LIGHTS



ISOMETRIC VIEW

- 1) Kiosk should be made of 1.2 mm. thk. 50x25mm. MS pipe structure.
- 2) Kiosk should be covered with 1mm. thk GI Sheet.
- 3) Kiosk should be open from front & right side & back side should be closed & left side should have a door.
- 4) Kiosk should be open from front & right side & back side should be closed & left side should have a door.
- 5) Kiosk should have 3nos. of 80"L X 12"W wall shelves. Wall shelves should made of 1.2mm. SS304 Sheet.
- 6) Front side cabinet dimation = 96"LX24"W
Right side cabinet dimation = 72"LX16"W
- 7) Inside of kiosk should have 2 nos. of cabinet one is at front side & another one is at right side.

01

OVERALL SIZE- 6' X 5' X 8'

15/07/2023

SS KIOSK (BCCI)

PRITASREE

28.07.2023

YULE TEA

ANDREW YULE & COMPANY LIMITED
Tea Division
Scope of Supply / Specification
Ref. Tender No.: TED/GeM/2023-24/4

1. Fabrication and Erection of Movable Kiosks at 3 (three) locations in Kolkata
2. **Scope of Work**
Supply as per specification, FOR site including installation and commissioning at site.

Size of the Kiosk: 10' (Length) x 8' (Width) x 8' (Height)
Quantity : 1 (One) unit.

Location : ECO Park Major Arterial Road (South-East)
Biswa Bangla Sarani,
AA II, New Town,
Kolkata-700156

Estimated value Rs.2,00,000/-

Specifications:

- a)) Kiosk should be made of 12mm thick 50mmX25 mm MS pipe structure
- b) Kiosk should be covered with 1mm thick GI sheet .
- c) Kiosk should be open from front side & right side. Back side to remain closed. Left side should have a door.
- d) Kiosk should have 3 side flap type door.
- e) Kiosk should have 3 nos. 80"L X 12"W wall shelves. Wall shelves should be made of 1.20mm SS304 sheets.
- f) Front side cabinet dimension should be 120"L X 24"W
Right & left side cabinet dimension should be 72"L X 16"W
- g) Interiors of kiosk should have cabinets on all three sides.
- h) Body will be covered outside with approximately 210 sqft vinyl and branding will be done on it (matter to be provided by AYCL)
- i) Interiors to have 14 (forteen) nos. LED lights fitted on the ceiling. Outside top will have 10ft X1ft neon light hoarding for display

Other Information / Data required to be furnished

1. **List of cliental for last 3 years alongwith few order copies.**

General Terms & Conditions

1. **Scope of Work**
Supply as per above mentioned complete specification in all respect to the respective sites, as mentioned above, on %door delivery+basis including installation and commissioning at site.
2. **Location of Site**
As stated above.
3. **Requirement**
 - Fabrication and Erection of Movable Kiosks at above location in Kolkata.
4. **Liquidated Damage**
In the event of failure on the part of the contractor to complete entire work against the order to our full satisfaction within the specified period of completion, we may recover from the

contractor as liquidated damages, a sum equivalent to ½% of material value for each week or any part thereof default, where the delivery thereof will be accepted after expiry of the date stipulated for this purpose, but limited to a maximum of 10% of material value.

a. Risk Purchase

In case the contractor fails to execute the contract fully or partly, the purchaser shall have the right to execute the work through other agencies, as decided by the purchaser at the contractor's cost and risk after giving two weeks' notice in writing.

b. Price Variation

The quoted price should remain firm during pendency of the contract.

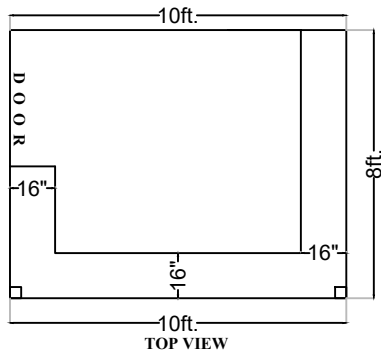
c. Guarantee

12 months from the date of commissioning against defective materials, faulty workmanship.

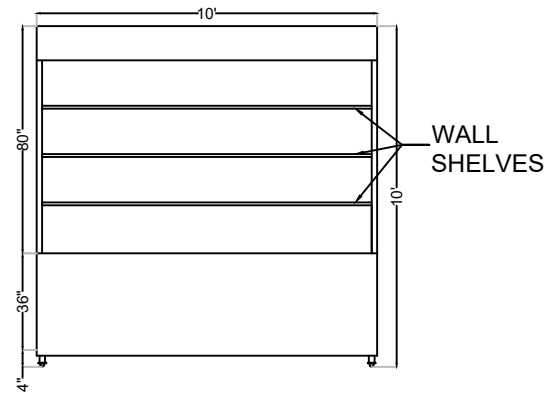
d. Purchaser's Liabilities

e. Decision for awarding contract/job is vested with the Management so as to reject, split / fragment.

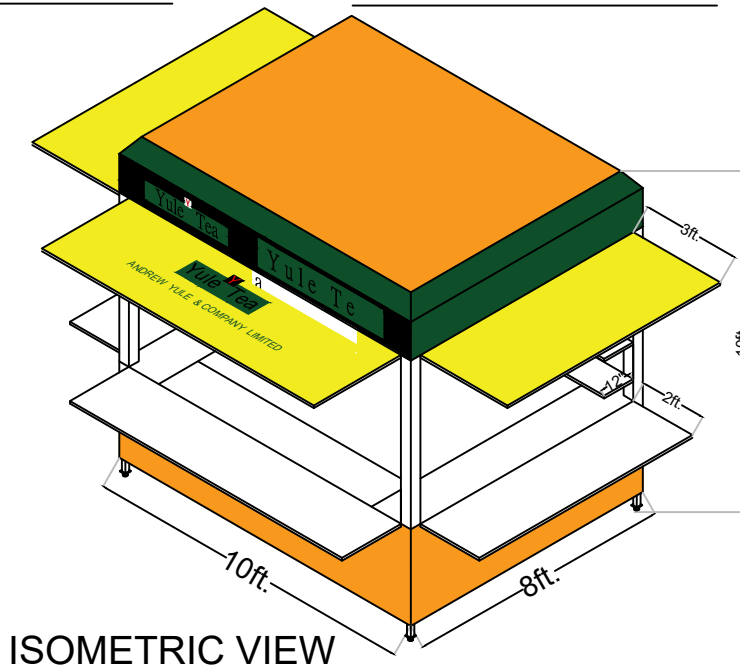
Note : Designs attached herewith.



TOP VIEW



FRONT ELEVATION



ISOMETRIC VIEW

- 1) Kiosk should be made of 1.2 mm. thk. 50x25mm. MS pipe structure.
- 2) Kiosk should be covered with 1mm. thk GI Sheet.
- 3) Kiosk should be open from front & right side & back side should be closed & left side should have a door.
- 4) Kiosk should be open from front & right side & back side should be closed & left side should have a door.
- 5) Kiosk should have 3nos. of 80"L X 12"W wall shelves. Wall shelves should made of 1.2mm. SS304 Sheet.
- 6) Front side cabinet dimation = 96"LX24"W
Right side cabinet dimation = 72"LX16"W
- 7) Inside of kiosk should have 2 nos. of cabinet one is at front side & another one is at right side.

01

OVERALL SIZE- 10' X 8' X 10'

15/07/2023

SS KIOSK (Eco Park)

PRITASREE

28.07.2023

YULE TEA